

3-BOLT MOUNT SYSTEM

Franke disposers feature a 3 Bolt Mount System for fast replacement of existing 3 Bolt installations.

Corrosion Proof

This model carries a lifetime warranty against failure due to corrosion.

Cast Impellers

The TE-75S model has cast stainless steel impellers which means finer grind.

Permanent Magnet Motors

Franke motors offer maximum torque instantly with the power to cut through potential jams.

Removable Splash Guard

All Franke models have a removable splash guard, ideal for easy cleaning and replacement.

Attached Power Cord

Ready to plug in.



BUILT-IN AIR SWITCH

This model features a Built-In Air Switch Power Option. Turn on your disposer by the power switch or by pushing a button that creates air pressure to turn on disposer. Great option for use with islands.

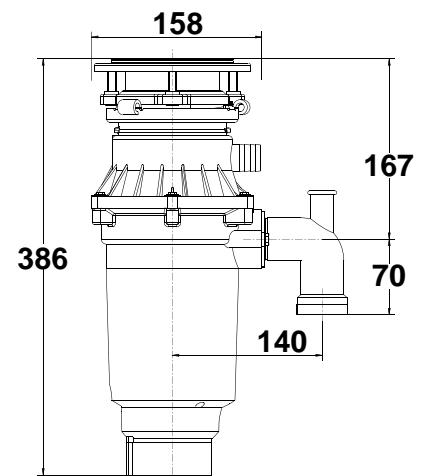
BIO SHIELD® (Antimicrobial) for ODOUR PROTECTION!

Disposers are treated with an antimicrobial agent molded inside providing protection against odour causing bacteria growth.

The TORQUE MASTER® Grinding System - A combination of computer designed and balanced components working in unison to provide superior torque grind speed and long system life.

HORSEPOWER	3/4 HP
MOTOR SPEED RPM	2700 RPM
VOLTAGE	220-240v
AMPS	3.25
CYCLES	50/60
BEARINGS	Permanently Lubricated, Sleeve Type
MOTOR TYPE	Permanent Magnet
SPLASH GUARD	Removable
GRIND RING	Stainless Steel
SWIVEL IMPELLERS	Cast Stainless Steel
BALANCED TURNTABLE	Stainless Steel
BALANCED ARMATURE SHAFT	Yes
HOPPER	Corrosion Proof
DRAIN HOUSING	Corrosion Proof
APPLIANCE PROTECTOR	Manual Reset
SINK FLANGE	Stainless Steel
MOUNT ASSEMBLY	3 Bolt
SOUND SHELL	Partial
ATTACHED POWER CORD	Yes
DISHWASHER CONNECTION	Yes
UNIT WEIGHT	5.23 kg
LIFETIME CORROSION GUARANTEE	Yes

Dimensions in Millimeters



Franke S.p.A
Via Pignolini 2 | 37019 Peschiera del Garda
Italy